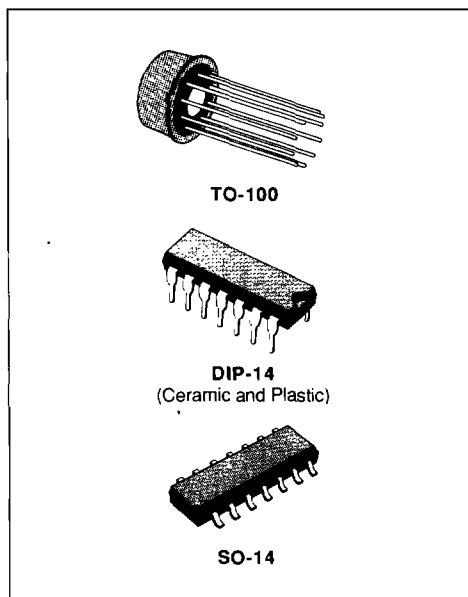


## HIGH PRECISION VOLTAGE REGULATOR

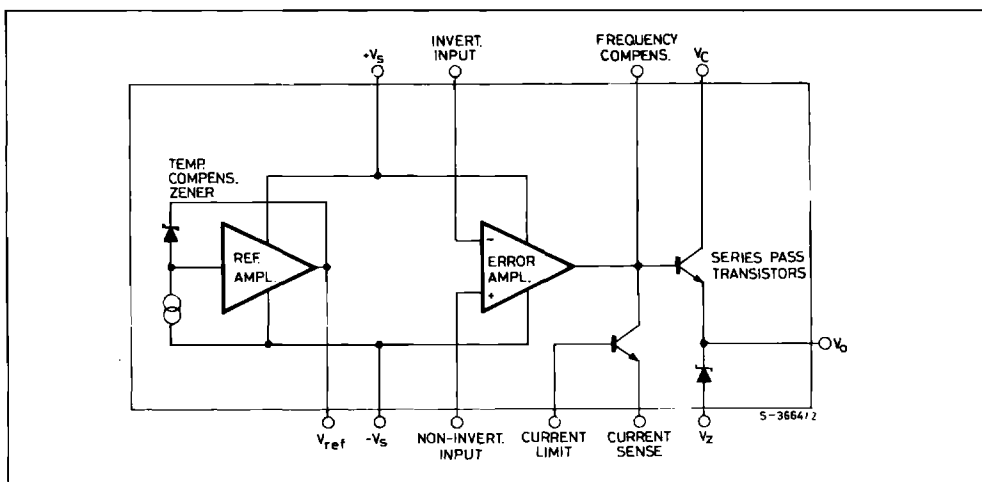
- INPUT VOLTAGE UP TO 40V
- OUTPUT VOLTAGE ADJUSTABLE FROM 2 TO 37V
- POSITIVE OR NEGATIVE SUPPLY OPERATION
- SERIES, SHUNT, SWITCHING OR FLOATING OPERATION
- OUTPUT CURRENT TO 150mA WITHOUT EXTERNAL PASS TRANSISTOR
- ADJUSTABLE CURRENT LIMITING

### DESCRIPTION

The LM723 is a monolithic integrated programmable voltage regulator, assembled in 14-lead dual in-line plastic and ceramic package, 10-lead Metal Can (TO-100 type) and SO-14 micropackage. The circuit provides internal current limiting. When the output current exceeds 150mA an external NPN or PNP pass element may be used. Provisions are made for adjustable current limiting and remote shut-down.



### BLOCK DIAGRAM



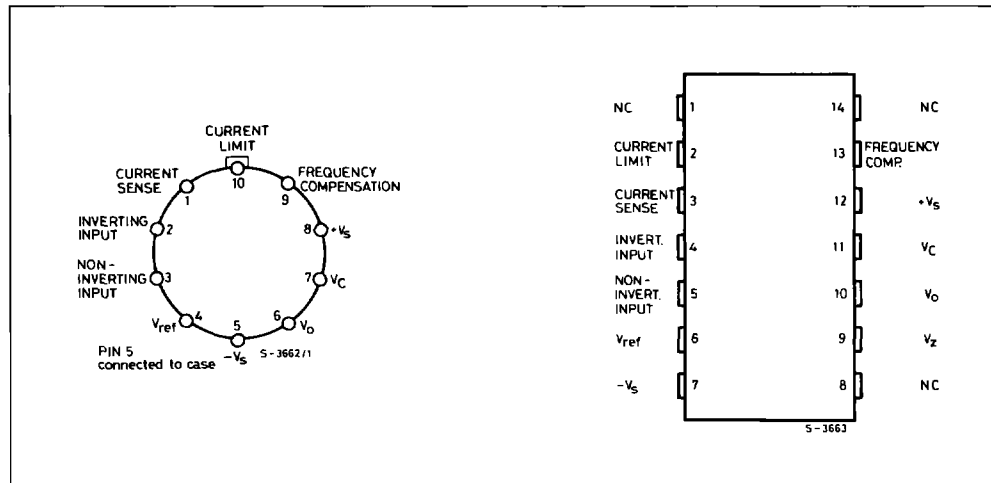
**ABSOLUTE MAXIMUM RATINGS**

Symbol	Parameter	LM723	LM723C	Unit
$V_i$	Input Voltage	40	40	V
$\Delta V_{i-o}$	Dropout Voltage	40	40	V
$I_o$	Output Current	150	150	mA
$I_{ref}$	Current from $V_{ref}$	15	25	mA
$T_{op}$	Operating Temperature	- 55 to 125	0 to 70	°C
$T_{sig}$	Storage Temperature	- 65 to 150	- 65 to 150	°C
$T_j$	Junction Temperature	150	125	°C

**THERMAL DATA**

Symbol	Parameter		Plastic DIP-14	Ceramic DIP-14	TO-100	SO-14	Unit
$R_{th\ j-amb}$	Thermal Resistance Junction-ambient	Max	200	150	155	165	°C/W

**PIN CONNECTION (top views)**



**ORDER CODES**

Type	TO-100	Ceramic DIP-14	Plastic DIP-14	SO-14
LM723	LM723H	LM723J		
LM723C	LM723CH	LM723CJ	LM723CN	LM723CD

ELECTRICAL CHARACTERISTICS (refer to the test circuit,  $T_{amb} = 25^{\circ}\text{C}$  unless otherwise specified)

Symbol	Parameter	Test Conditions	LM723C			LM723			Unit
			Min.	Typ.	Max.	Min.	Typ.	Max.	
$\frac{\Delta V_o}{\Delta V_i}$	Line Regulation	$V_i = 12$ to $15\text{V}$		0.01	0.1		0.01	0.1	%
		$V_i = 12$ to $40\text{V}$		0.1	0.5		0.02	0.2	
		$V_i = 12$ to $15\text{V}$ : $T_{min} \leq T_{amo} \leq T_{max}$			0.3			0.3	
$\frac{\Delta V_o}{V_o}$	Load Regulation	$I_o = 1$ to $50\text{mA}$		0.03	0.2		0.03	0.15	%
		$T_{min} \leq T_{amb} \leq T_{max}$			0.6			0.6	
		$I_o = 1$ to $10\text{mA}$							
$V_{REF}$	Reference Voltage	$I_{ref} = 160\mu\text{A}$	6.8	7.15	7.5	6.95	7.15	7.35	V
SVR	Ripple Rejection	$f = 100\text{Hz}$ to $10\text{KHz}$ $C_{ref} = 0$ $C_{ref} = 5\mu\text{F}$		74 86			74 86		dB dB
$\frac{\Delta V_o}{\Delta T}$	Output Voltage Drift				150			150	$\frac{\text{ppm}}{^{\circ}\text{C}}$
$I_{sc}$	Short Circuit Current Limiting	$R_{sc} = 10\Omega$ $V_o = 0$		65			65		mA
$V_i$	Input Voltage Range		9.5		40	9.5		40	V
$V_o$	Output Voltage Range		2		37	2		37	V
$V_i - V_o$			3		38	3		38	V
$I_d$	Quiescent Drain Current	$I_o = 0$ $V_i = 30\text{V}$		2.3	4		2.3	5	mA
	Long Term Stability			0.1			0.1		$\frac{\%}{1000 \text{ hrs}}$
$e_N$	Output Noise Voltage	$\text{BW} = 100\text{Hz}$ to $10\text{KHz}$ $C_{ref} = 0$ $C_{ref} = 5\mu\text{F}$		20 2.5			20 2.5		$\mu\text{V}$ $\mu\text{V}$
$V_z$	Output Zener Voltage (for plastic package only)	$I_z = 1\text{mA}$	6.9		7.7				V

Note :  $T_{min} = 0^{\circ}\text{C}$  (LM723C) :  $125^{\circ}\text{C}$  (LM723)  
 $T_{max} = 70^{\circ}\text{C}$  (LM723C) :  $-55^{\circ}\text{C}$  (LM723).

## TEST CIRCUIT (pin configuration relative to the plastic package)

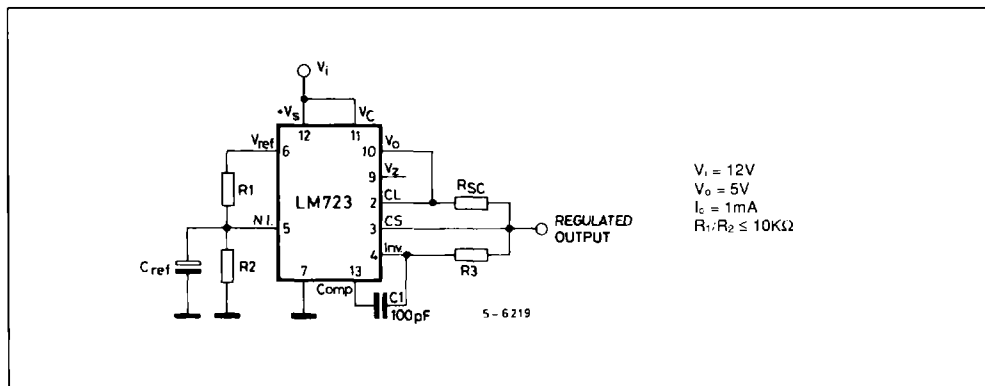


Figure 1 : Maximum Output Current vs. Voltage Drop.

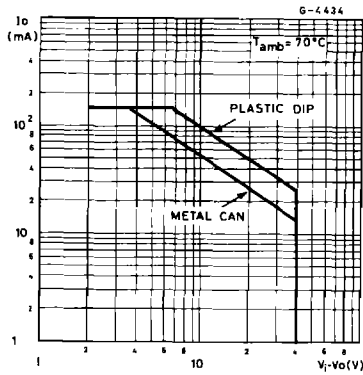


Figure 2 : Current Limiting Characteristics.

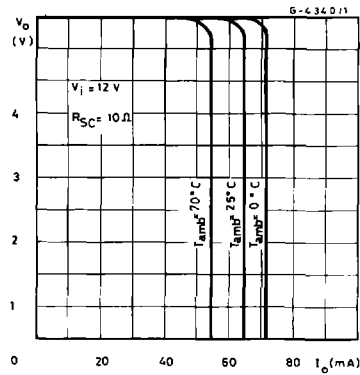


Figure 3 : Current Limiting Characteristics vs. Junction Temperature.

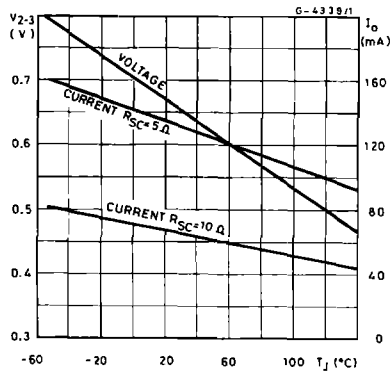


Figure 4 : Load Regulation Characteristics without Current Limiting.

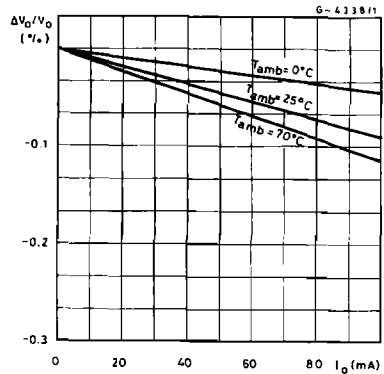


Figure 5 : Load Regulation Characteristics with Current Limiting.

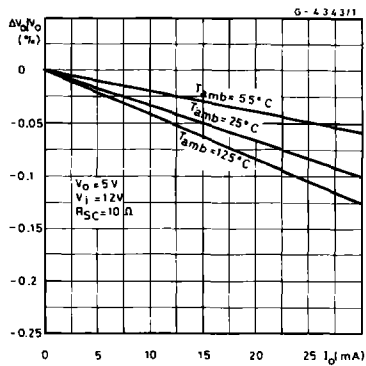


Figure 6 : Load Regulation Characteristics with Current Limiting.

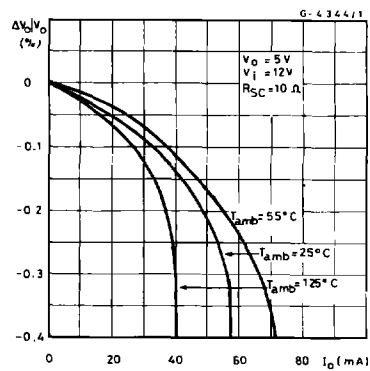


Figure 7 : Line Regulation vs. Voltage Drop.

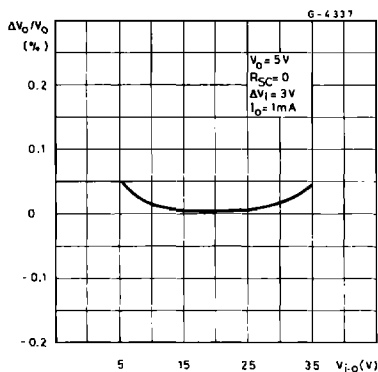


Figure 9 : Quiescent Drain Current vs. Input Voltage.

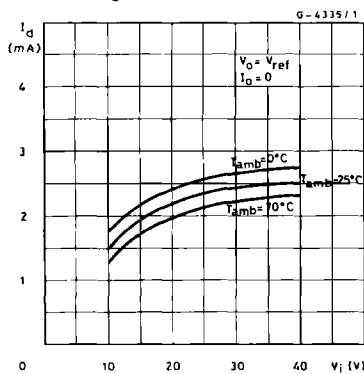


Figure 11 : Load Transient Response.

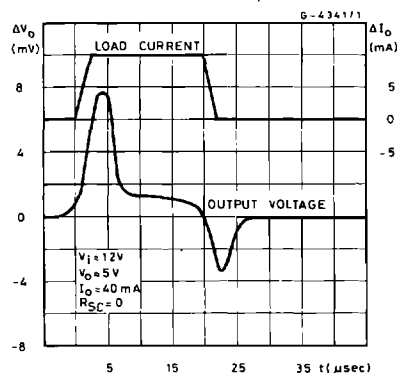


Figure 8 : Load Regulation vs. Voltage Drop.

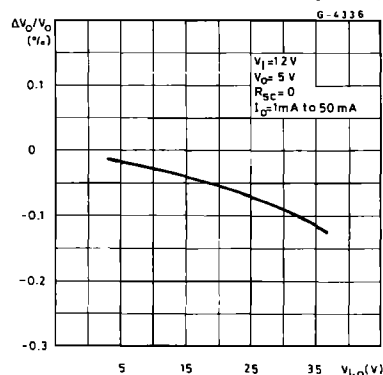


Figure 10 : Line Transient Response.

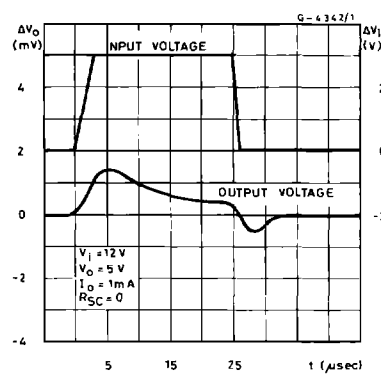
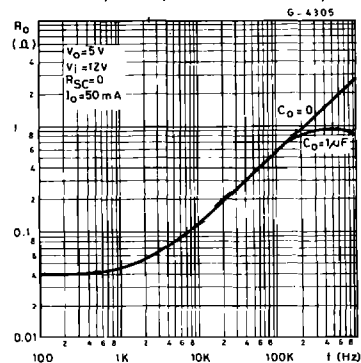


Figure 12 : Output Impedance vs. Frequency.



**Table 1 :** Resistor Values (KΩ) for Standard Output Voltages.

Output Voltage	Applicable Figures	Fixed Output ± 5%		Output Adjustable ± 10% (°)			Output Voltage	Applicable Figures	Fixed Output ± 5%		Output Adjustable ± 10% (°)		
		R <sub>1</sub>	R <sub>2</sub>	R <sub>1</sub>	P <sub>1</sub>	R <sub>2</sub>			R <sub>1</sub>	R <sub>2</sub>	R <sub>1</sub>	P <sub>1</sub>	R <sub>2</sub>
+ 3	13, 16	4.12	3.01	1.8	0.5	1.2	+ 100						
+ 5	13, 16	2.15	4.99	0.75	0.5	2.2	+ 250						
+ 6	13, 16	1.15	6.04	0.5	0.5	2.7	- 6(°)	15	3.57	2.43	1.2	0.5	0.75
+ 9	14, 16	1.87	7.15	0.75	1	2.7	- 9	15	3.48	5.36	1.2	0.5	2
+ 12	14, 16	4.87	7.15	2	1	3	- 12	15	3.57	8.45	1.2	0.5	3.3
+ 15	14, 16	7.87	7.15	3.3	1	3	- 15	15	3.65	11.5	1.2	0.5	4.3
+ 28	14, 16	21	7.15	5.6	1	2	- 28	15	3.57	24.3	1.2	0.5	10

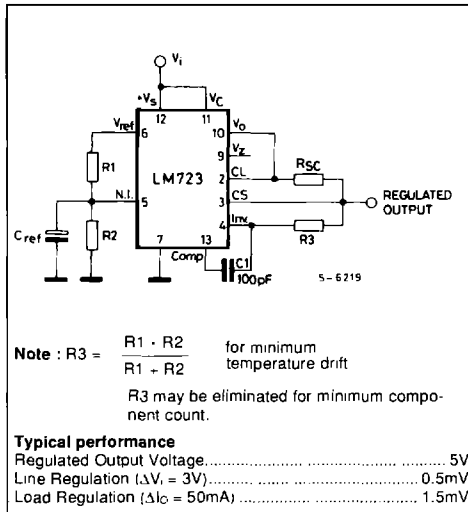
**Note :** (°) Replace R<sub>1</sub>/R<sub>2</sub> divider with the circuit of fig. 24.  
 (°°) V<sup>-</sup> must be connected to a +3V or greater supply.

**Table 2 :** Formulae for Intermediate Output Voltages.

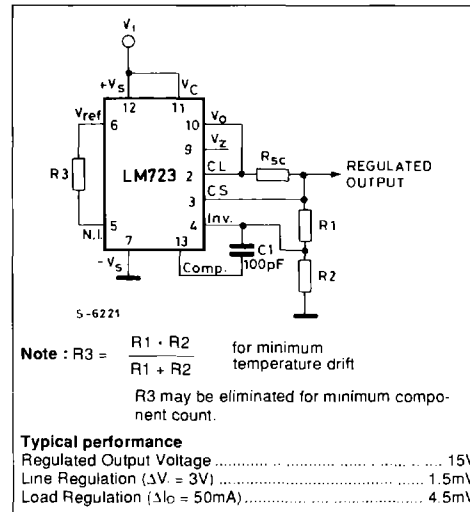
Outputs from + 2 to + 7 Volts Fig. 13, 16 $V_O = [ V_{ref} \times \frac{R_2}{R_1 + R_2} ]$		Current Limiting $I_{LIMIT} = \frac{V_{SENSE}}{R_{sc}}$
Outputs from + 7 to + 37 Volts Fig. 14, 16. $V_O = [ V_{ref} \times \frac{R_1 + R_2}{R_2} ]$	Output from - 6 to - 250 Volts Fig. 15, 20 $V_O = [ -\frac{V_{ref}}{2} \times \frac{R_1 + R_2}{R_1} ] ; R_3 = R_4$	Foldback Current Limiting $I_{KNEE} = [ \frac{V_O R_3}{R_{sc} R_4} + \frac{V_{SENSE} (R_3 + R_4)}{R_{sc} R_4} ]$ $I_{SHORT\ CKT} = [ \frac{V_{SENSE}}{R_{sc}} \times \frac{R_3 + R_4}{R_4} ]$

## APPLICATION INFORMATION (pin numbers relative to the plastic package).

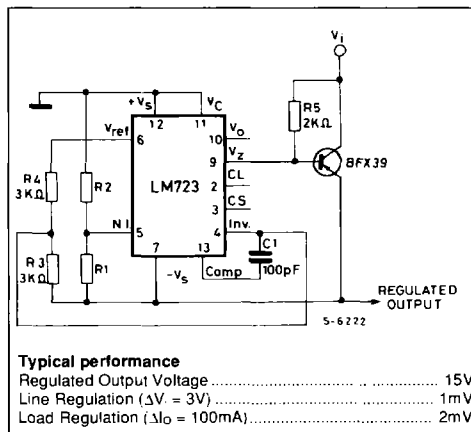
**Figure 13 :** Basic Low Voltage Regulator  
( $V_o = 2$  to  $7V$ ).



**Figure 14 :** Basic High Voltage Regulator  
( $V_o = 7$  to  $37V$ ).



**Figure 15 :** Negative Voltage Regulator.



**Figure 16 :** Positive Voltage Regulator (external NPN Pass Transistor).

